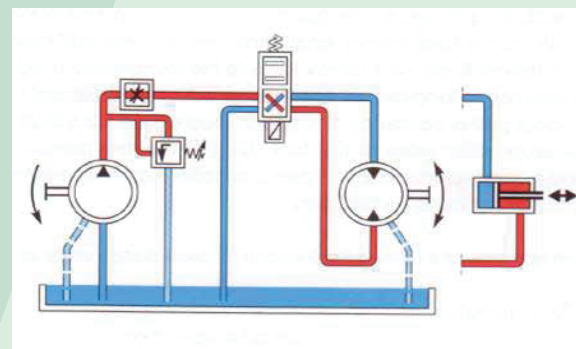
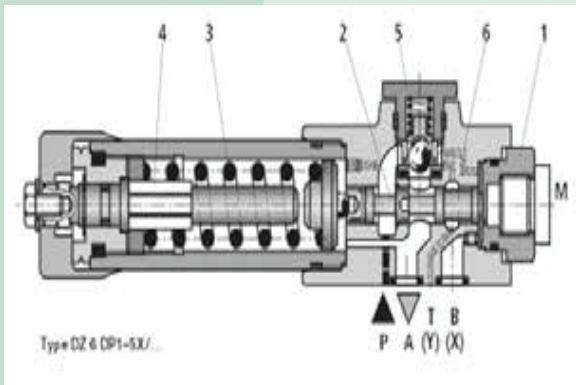
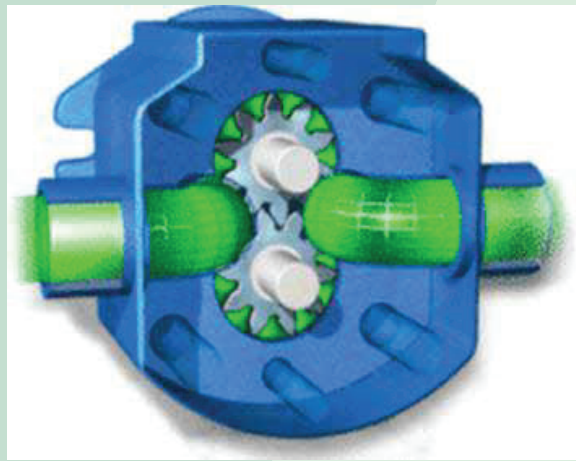


INTRODUCTION TO HYDRAULICS FOR ENGINEERS COURSE

Suited for engineering staff, graduates, draftpersons, mechanical supervisors, step up mechanical trades and other people involved in the design and modification of fluid power systems.



Topics Covered

Safety,
Principles,
Hydraulic Components,
Component Sizing,
Fluid Power Calculations,
Schematics,
Pump Controls, Motion Controls,
Valve types,
Filtration,
Accumulator basics,
Flow controls

Prerequisites

Some exposure to hydraulic schematic drawings, basic maths skills, some exposure to functions of fluid power systems. Need to bring a calculator on the day.

Qualification

On successful completion of the course, students will receive a Certificate of Completion

Time

Course duration - 2 x 9 hour days

Course Numbers

Maximum of 6 students per group

Cost

\$1250.00 ex. gst per person - includes handouts, textbook & meals

Cancellation fee: The full fee will be charged & invoiced if non-attendance occurs, unless we have received notice 10 business days prior to course date.